

NAV-CMD-48-B

Monitoring box allowing the control and the wiring of NAVILITE 48VDC beacon, working at night only or continuously, plugged to work simultaneously or in redundancy (a main light and a backup light working only in case the main light is not working) with remote signalization in case of failure of the light or failure of the 48VDC supply

P/N : 113915



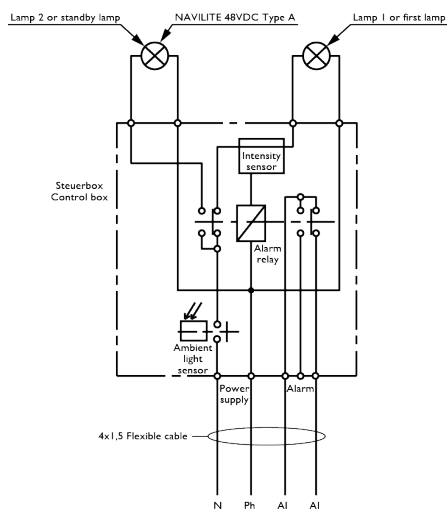
Key Points

- Polycarbonate envelope with 4 cable entries
- Photocell integrated : 'day&night' or 'night only' operation
- Surge protection included
- alarm activated in case of failure of the 230VAC power supply or failure of the lights
- 'main & back-up operation for 2-4 lights' or working simultaneously for 1 to 4 lights
- possibility to configure 1 to 4 NAVILITE 48VDC in fixed mode or flashing mode (low intensity type E, L-810(F))

Electrical Characteristics

Voltage

48VDC -10%/+15%



Mechanical Characteristics	
Dimensions	160 x 58 mm
IP degree	IP65 in vertical position
Weight	300g
Cable entry diameter	from 7 to 13 mm
Wire cross section	from 1 to 2,5 mm ²
Attachment	4 screws type M4
Position of the 4 mounting holes	148 x 50 mm

