

NAVILITE-FAA-120-240V



Led low intensity type B and L-810 certified to FAA AC 150/5345-43H

P/N : 113969



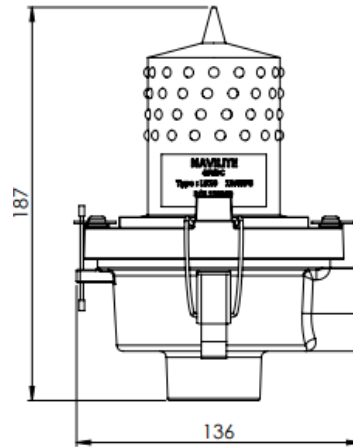
Key Points

- Light part completely molded with 4 levels of leds
- Redundant circuits for LED's : 16 circuits of 4 LEDs in redundancy
- Surge protection and alarm included
- 2 x 1' NPT threaded holes for mounting
- No losing part during installation

(for L-810(F) mode, 1-4 NAVILITE-FAA-48V P/N113965 with command box P/N113912 have to be used)

Electrical Characteristics		
Power supply		7,5W
Life time		10 years
Power supply		110VAC to 240VAC +/-10% 50/60Hz
Mechanical Characteristics		
Operating temperature		-30/+60°C
IP degree		IP65 in vertical position
Weight		1 kg
Wiring		Terminal connection (2 power wires and 2 for the alarm)
Cable entry quantity for power supply		2
Wire cross section		from 1 to 2,5 mm ²
Attachment		1 NPT threaded holes

Mechanical Characteristics



Photometric Characteristics		
Luminous intensity		>32,5cd
Color night time		Red fixed
Vertical beam spread		>10°
Horizontal beam spread		360°
Standards		
Standards compliance		ICAO annex 14 chapter 6, FAA (AC 150/5345-43H), EASA, DGAC, CAA