

NAVILITE-FAA-48V

Led low intensity type B and L-810 FAA AC 150/5345-43H

P/N : 113965

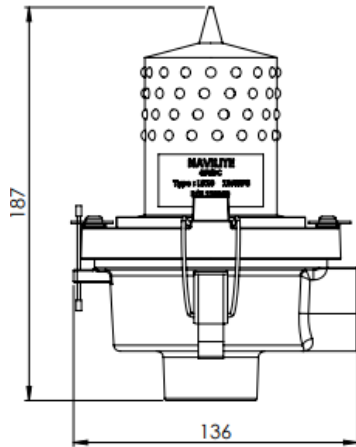


Key Points

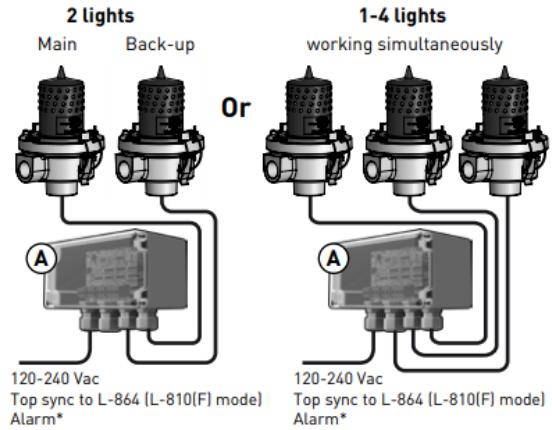
- Light part completely molded with 4 levels of leds
- Redundant circuits for LED's : 16 circuits of 4 LEDs in redundancy
- Surge protection included
- Alarm and L-810(F) mode through command box P/N113912
- 2 x 1' NPT threaded holes for mounting
- No losing part during installation (Certification to FAA AC 150/5345-43H pending)

Electrical Characteristics		
Power supply		6 W
Life time		10 years
Power supply		48Vdc ± 10%
Mechanical Characteristics		
Operating temperature		-30/+60°C
IP degree		IP65 in vertical position
Weight		1 kg
Wiring		Terminal connection (2 power wires)
Cable entry quantity for power supply		2
Wire cross section		from 1 to 2,5 mm ²
Attachment		1 NPT threaded holes

Mechanical Characteristics



Option with command box P/N 113912



Photometric Characteristics

Luminous intensity	>32,5cd
Color night time	Red fixed
Vertical beam spread	>10°
Horizontal beam spread	360°

Standards

Standards compliance	ICAO annex 14 chapter 6, FAA (AC 150/5345-43H), EASA, DGAC, CAA
----------------------	---