

OBSTA HI STI-240V



Cold neon discharge low intensity type B and FAA L-810 devoted to the night marking of all kind of obstacles supplied by 110 to 240VAC

P/N : **113110**

The OBSTA HI STI is devoted to the marking of all kinds of obstacles such as buildings, airports, broadcast towers etc. One model allow can cover every voltage from 110VAC up to 240VAC. The OBSTA HI STI is a one piece moulded assembly which includes a constant power converter and the proper discharge lamp (13 turns). The OBSTAHI STI P/N113110 has no requirement for a ground connection, which avoids any voltage return from the earth (for example due to lightning). However in intense electromagnetic fields (radiant poles, multi directional radio antennas), it is recommended to use the OBSTA HI STI APR P/N113113 or OBSTA HI STIM P/N113150

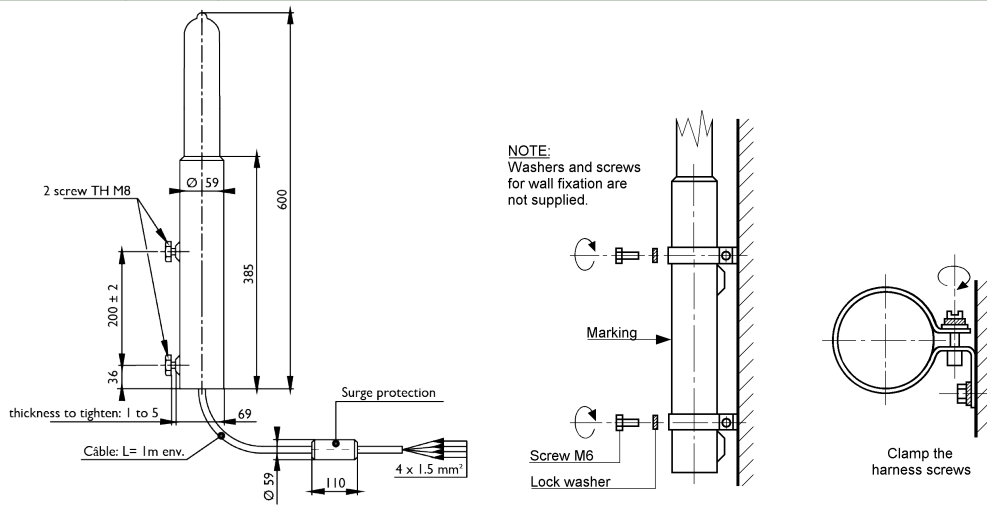


Key Points

- Perfectly waterproof with hard glass cover
- Great light efficiency
- Large vertical beam spread exceeding FAA and ICAO standard
- No grounding issue, class II,
- Protected against transient overvoltages
- Alarm by closing relay in case of lamp failure or low power supply

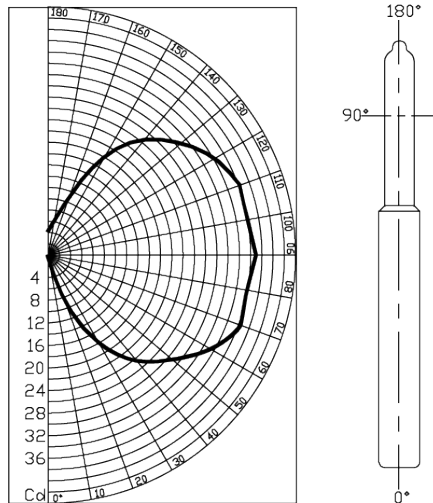
Electrical Characteristics		
Power supply		45 W
Current drawn		370mA(240V) - 730 mA(110V)
Life time		10 years
Power supply		110VAC to 240VAC +/-10% 50/60Hz
Mechanical Characteristics		
Operating temperature		-30/+60°C
Size of the light		600mm (height) x 68mm (over diameter)
IP degree		IP66
Weight		2,3 kg
Wiring		On 4 stripped wires 4x1,5mm ² (length of cable 1 meter) (2 power wires, 2 alarm wires)
Attachment		2 screws type M8 (provided). Thickness to screw into : 1 up to 5 mm

Mechanical Characteristics



Photometric Characteristics

Luminous intensity	> 35 Cd
Color night time	Red fixed
Vertical beam spread	> 120°
Horizontal beam spread	360°



Standards

Standards compliance	ICAO annex 14 chapter 6, FAA (AC 150/5345-43G) with alarm monitoring
----------------------	--