

OF360-R-240



Red medium intensity type B (or C) 110-240VAC and FAA L-864 certified (Intertek)

P/N : **113724**

The obstafash system red color provides a night marking solution for all kind of obstacle higher than 45 meters. The obstafash shall be used with an external photocell and oriented to the North (in the North Hemisphere). In option this light is also available with combination of red leds and infrared leds compatible NVG (night vision goggles)

It is also possible to connect up to 6 flashheads to one single power cabinet. In this case the part numbers are:

- 113736 per red flashhead
- 113727NX per cabinet with X the quantity of flashheads

Key Points

Flashhead

- 6 led projectors
- Aluminium and glass envelope
- Easy maintenance on the flashhead
- Led driver and control electronic in the power cabinet
- Also available with both visible and infrared leds compatible NVG

Power supply

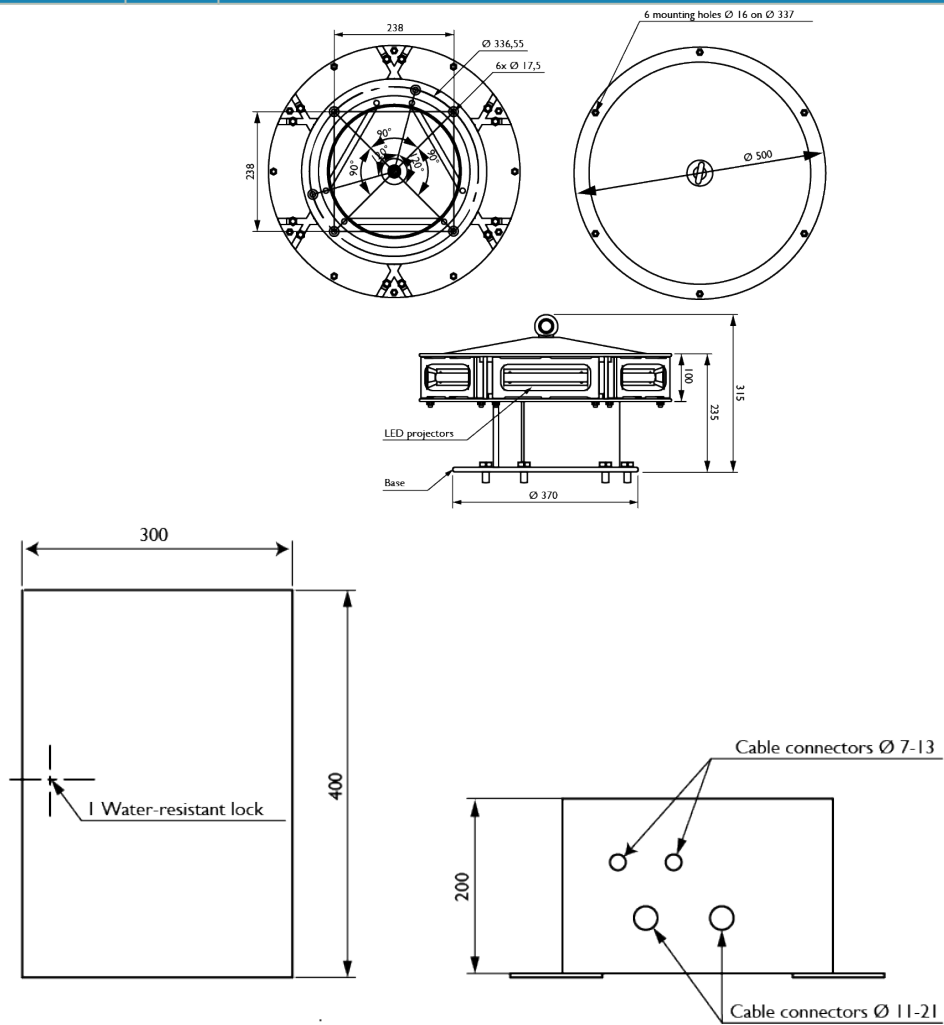
- 'Weather tight' stainless steel 316L power cabinet enclosure
- 1 luminous indicator for each flashhead and for the power supply
- Test button for night
- Alarm dry contact NC and NO
- Master/slave configuration for multiple lights synchronisation
- to be used with photocell 48Vdc P/N100755
- in option 48Vdc additional low intensity type B or L-810(L) can be connected on the power supply



Patents: **EP 1966535B1 & US 7816843**

Electrical Characteristics		
Power supply		110VAC to 240VAC +/-10% 50/60Hz
Average power consumption		8W (night time only @ 30fl per minute)
Mechanical Characteristics		
Operating temperature		-40/+55°C
Size of the light		315mm (height) x 500mm (diameter)
Size of the power supply		400mm (height) x 300mm (width) x 200mm (dept)
IP degree		IP66 per projector
Weight		14kg for flashhead, 10kg for power cabinet
Wiring		Entry of cable by glands nickel plated brass and connection by terminals
Wire cross section		from 1 to 4 mm ²
Attachment		6 mounting holes dia.16mm, dia.337mm circle

Mechanical Characteristics



Photometric Characteristics		
Effective light output night mode at 0° on site		2000cd (red)
Color night time		Red
Vertical beam spread		>3°
Horizontal beam spread		360°
Flash per minute		30
Standards		
Standards compliance		ICAO annex 14 chapter 6, FAA (AC 150/5345-43H), EASA, DGAC, CAA