

OF360-RW-240-U



Dual color medium intensity type A/B 110-240VAC and FAA L-865/L-864 certified (Intertek)

P/N : **113725U**

The obstafash system dual color or white only provides a day and night marking solution for all kind of obstacle higher than 45 meters. For obstacle below 150 meters the use of white or dual color flashing light L-865/L-864 during day time eliminate the need to paint the obstacle with red and white stripes)

Key Points

Flashhead

- 6 led projectors with molded cable & connector
- Aluminium and glass envelope
- No losing part and no tools required to remove projectors from the flashhead
- All led drivers and control electronic in the power cabinet, special interconnecting cable between flashhead and power cabinet

Power supply

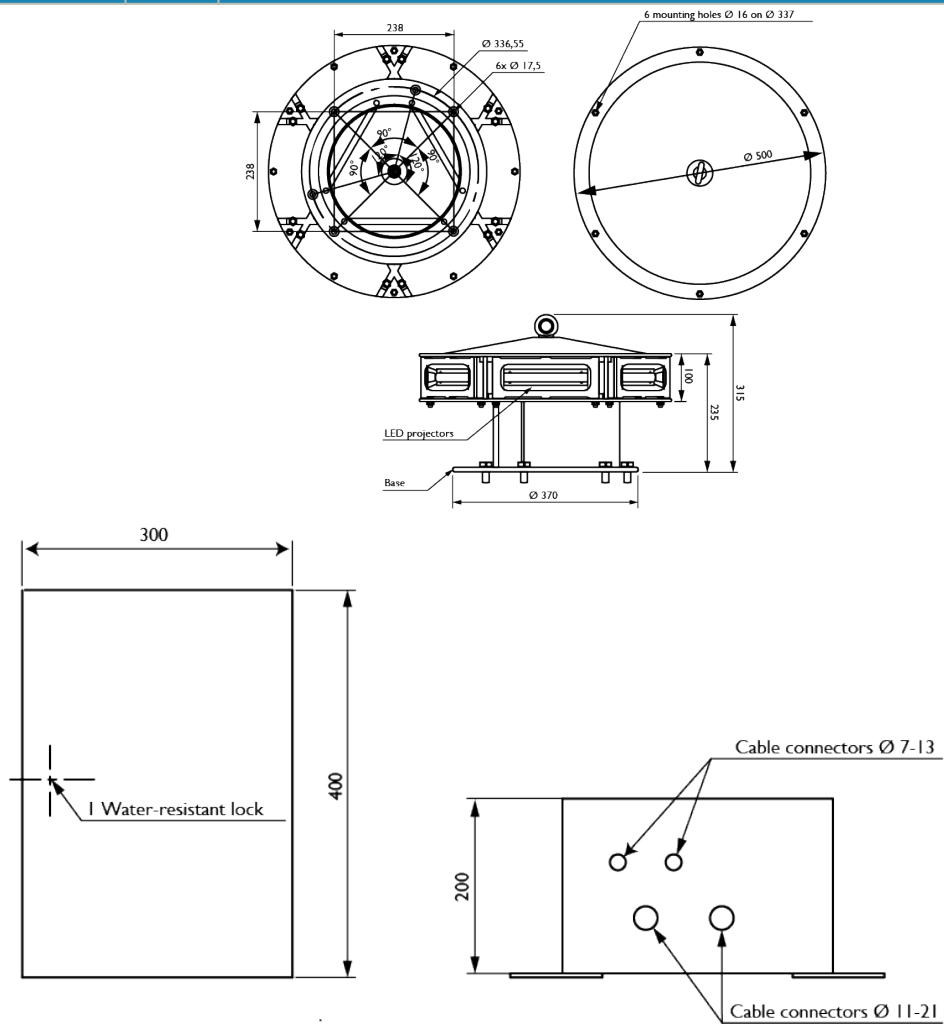
- 'Weather tight' stainless steel 316L power cabinet enclosure
- Test button for remote (photocell), day and night mode
- Alarm dry contact NC and NO
- Master/slave configuration in case of multiple lights synchronisation
- to be used with external photocell P/N100755 and interconnecting cable P/N113762LX (X lenght in meters)
- in option side lights L810 or low intensity type B for night only operation (or L810(F) 30fl per minute)
- in option wireless synchronisation by GPS P/N113746, GSM diagnostic P/N113785



Patents: EP 1966535B1 & US 7816843

Electrical Characteristics		
Power supply		110VAC to 240VAC +/- 10% 50/60Hz
Average power consumption		55W (day time), 8W (night mode)
Mechanical Characteristics		
Operating temperature		-40/+55°C
Size of the light		315mm (height) x 500mm (diameter)
Size of the power supply		400mm (height) x 300mm (width) x 200mm (dept)
IP degree		IP66 per projector
Weight		14kg for flashhead, 10kg for power cabinet
Wiring		Entry of cable by glands nickel plated brass and connection by terminals
Wire cross section		from 1 to 4 mm ²
Attachment		6 mounting holes dia.16mm, dia.337mm circle

Mechanical Characteristics



Photometric Characteristics		
Effective light output day time at 0° on site		20 000cd (white)
Effective light output twilight mode at 0° on site		20 000cd (white)
Effective light output night mode at 0° on site		2000cd (red)
Color day/twilight time		white
Color night time		Red
Vertical beam spread		>3°
Horizontal beam spread		360°
Intensity @ -10% to the ground		3% of max
Flash per minute		40 (day time), 30 (night time)
Standards		
Standards compliance		ICAO annex 14 chapter 6, FAA (AC 150/5345-43H), EASA, DGAC, CAA