

OFC-RI-048



FAA type L-864 (or ICAO red medium intensity type B or C) NVG verified by Intertek as per FAA and Swiss directive FOCA AD I-006 F

P/N : 113790RI-048

Key Points

Flashhead with integrated power supply

- 6 Obsta optics with cover in hard glass and aluminium base
- Simple installation with no losing parts when opening the flashhead
- Power supply inside the flashhead
- Alarm contact in case of led failure or power supply failure
- Surge protection with indicator showing when it has failed included

Options **Night Vision Goggles compatible**

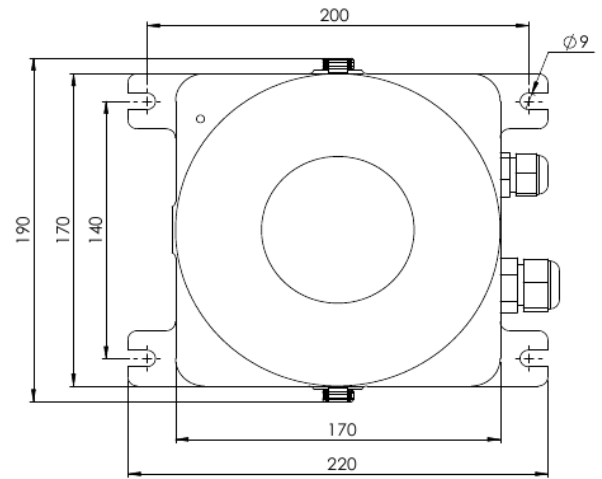
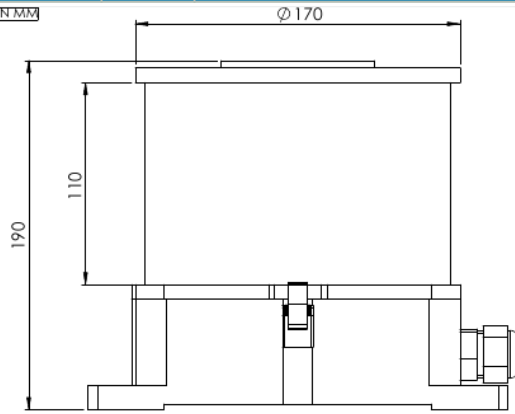


Patents: EP 1966535B1 & US 7816843

Electrical Characteristics		
Power supply		48VDC [-10%; +15%]
Average power consumption		10W (FAA L-864 + infrared)
Mechanical Characteristics		
Operating temperature		-40/+55°C
Size of the light		220mm x 190mm x 190mm
IP degree		IP66
Weight		5kg
Wiring		Entry of cable by glands nickel plated brass and connection by terminals
Cable entry diameter		from 7 to 13 mm
Wire cross section		up to 6mm ² for power supply, 1,5mm ² for signal
Attachment		4 mounting holes dia.9mm, 200mm x 140mm

Mechanical Characteristics

ALL DIMENSIONS ARE IN MM



Photometric Characteristics

IR intensity and wavelength	> 600mW/sr @ 800-900nm
Effective light output night mode at 0° on site	2000cd (red)
Color night time	Red
Vertical beam spread	>3°
Horizontal beam spread	360°
Flash per minute	30

Standards

Standards compliance	ICAO annex 14 chapter 6, FAA (AC 150/5345-43J)
----------------------	--