

OFC-RR-SOL

ICAO red medium intensity type B or C
L-864 + NVG compatibility FAA certified (AC 150/5345-43J)

P/N : 113790RR-SOL



Patents: EP 1966535B1 & US 7816843

Key Points

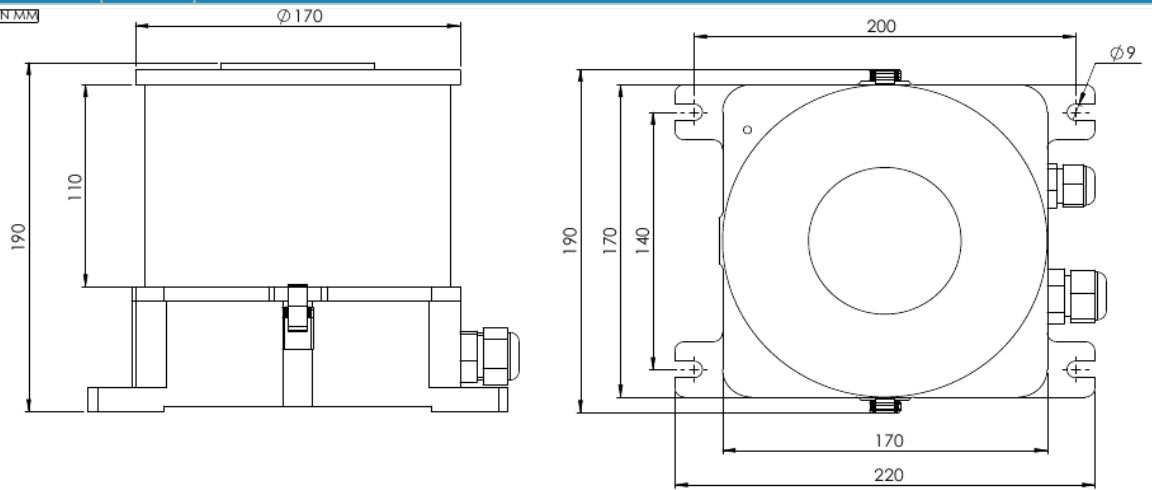
flashhead with integrated power supply

- 6 Obsta optics with cover in hard glass and aluminium base
- 2 red led circuits in redundancy
- Simple installation with no losing parts when opening the flashhead
- Power supply inside the flashhead

Electrical Characteristics		
Power supply		10-36Vdc
Average power consumption		3,5W @ 20 flashes per minute (ICAO medium intensity type B setting only)
Mechanical Characteristics		
Operating temperature		-40/+55°C
Size of the light		220mm x 190mm x 190mm
IP degree		IP66
Weight		5kg
Wiring		Entry of cable by glands nickel plated brass and connection by terminals
Cable entry diameter		from 7 to 13 mm
Wire cross section		up to 6mm ² for power supply, 1,5mm ² for signal
Attachment		4 mounting holes dia.9mm, 200mm x 140mm

Mechanical Characteristics

ALL DIMENSIONS ARE IN MM



Photometric Characteristics

Effective light output night mode at 0° on site	2000cd (red)
Color night time	Red
Vertical beam spread	>3°
Horizontal beam spread	360°
Flash per minute	20, 30, 40 or 60 flashes per minute or fixed (ICAO medium intensity type C), 30fl per minute for L-864

Standards

Standards compliance	ICAO annexe 14 chapter 6 (7th edition 2016), EASA (4th edition 2017)
----------------------	--