

OFH-120-RW-240

Led high intensity type A during the day & twilight and medium intensity type B during the night

P/N : 113780RW

The led OBSTAFLASH high intensity is a white color flashing obstruction light. The OBSTAFLASH is compliant with ICAO high intensity type A, and in option medium intensity type B or C at night.



Key Points

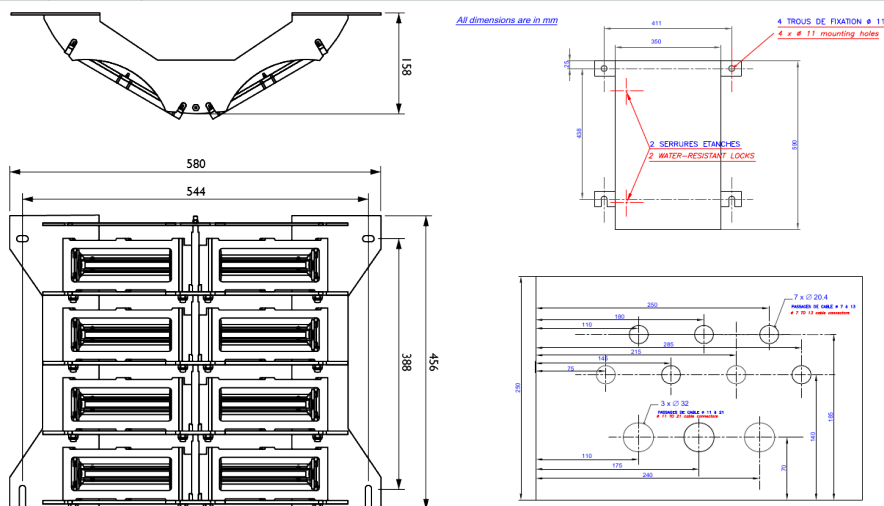
Flashhead

- 8 led projectors coming with connectors
- Aluminium and glass envelope
- No losing parts and no special tools required to remove projectors
- Led driver in stainless enclosure close to the flashhead, AC to DC converter with control in the power cabinet

Power supply

- 'Weather tight' stainless steel 316L power cabinet enclosure
- 8 independant power supplies providing a high redundancy level
- Test button for day, twilight and night
- Alarm dry contact NC and NO activated in case 1 or 2 led projectors not operating
- Surge protection included
- Master/slave configuration for multiple lights synchronisation or through external controller with optical cable

Electrical Characteristics	
Power supply	110VAC to 240VAC +/-10% 50/60Hz
Average power consumption	160W (day time)
Mechanical Characteristics	
Operating temperature	-40/+55°C
IP degree	IP66 per projector
Wiring	Entry of cable by glands nickel plated brass and connection by terminals
Wire cross section	from 1 to 4 mm ²



Photometric Characteristics		
Effective light output day time at 0° on site		200 000cd (white)
Effective light output twilight mode at 0° on site		20 000cd (white)
Effective light output night mode at 0° on site		2000cd (white or red)
Color day/twilight time		white
Color night time		white (or red in option)
Vertical beam spread		>3°
Horizontal beam spread		360° with 3 flashheads fixed at 120° around the obstacle
Flash per minute		40
Standards		
Standards compliance		ICAO annexe 14 chapter 6 (7th edition 2016), EASA (4th edition 2017)