

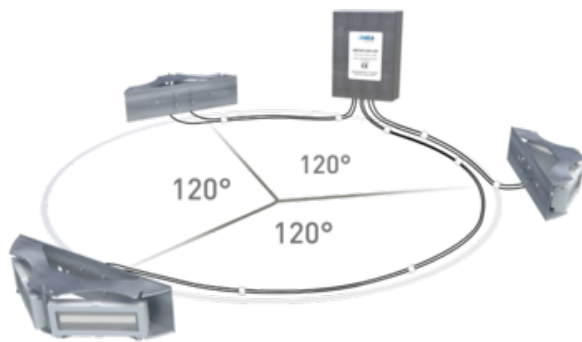
## OFI120-R-240



Obstruction lighting systems including 3 LED OBSTAFLASH 120° red medium intensity type especially designed for obstacle such as stacks with a diameter of 6 meters maximum and 3 legs based pylons. This set complies with ICAO medium intensity red color and is certified to FAA L-864.

P/N : **113714U**

This light is also available with infrared leds to be compatible with NVG (night vision goggles)



Patents: EP3230651, FR1462349, Pat. 10,247,386

### Key Points

3 flashheads OFP-120-R-10 with :

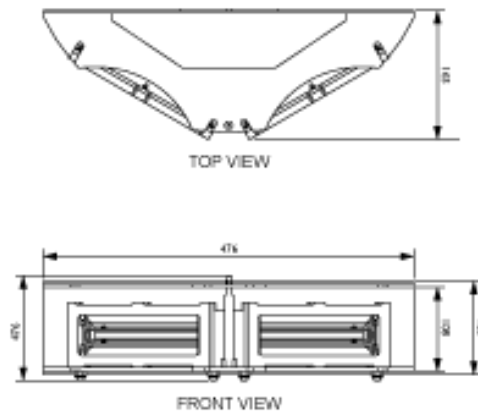
- 2 led projectors IP66
- Aluminium and glass envelope
- Vertical stainless support

A power supply :

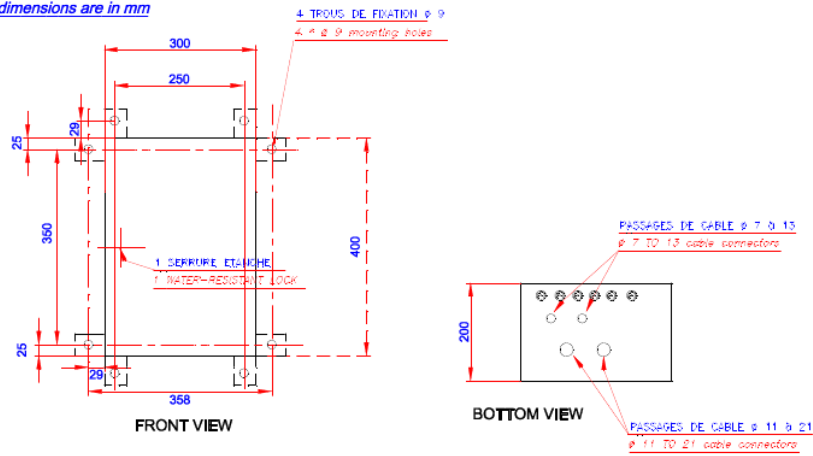
- Stainless enclosure with interlock switch and cable entry at the bottom
- Surge protection included
- Alarm relay in case of projector failure or power supply failure
- Test button with auto/day/night modes
- 8 led indicators for easy diagnostic
- Possibility to connect intermediate 48Vdc red lights operating at night only

| Electrical Characteristics |  |  |
|----------------------------|--|--|
| Power supply               |  | 110VAC to 240VAC +/-10% 50/60Hz  |
| Average power consumption  |  | 8W (night time only @ 30fl per minute)   |
| Mechanical Characteristics |  |  |
| Operating temperature      |  | -40/+55°C  |
| Size of the light          |  | 120mm (height) x 480mm (width)   |
| Size of the power supply   |  | 400mm (height) x 300mm (width) x 200mm (dept)  |
| Weight                     |  | 4kg  |
| Wiring                     |  | For each projector, 10 meters of molded cable<br>For power supply, entry of power & signal cable by glands nickel plated brass and connection by terminals |

Mechanical Characteristics



All dimensions are in mm



| Photometric Characteristics                     |  |   |
|---|--|---|
| Effective light output night mode at 0° on site |  | 2000cd (red)  |
| Color night time                                |  | Red   |
| Vertical beam spread                            |  | >3°   |
| Horizontal beam spread                          |  | 360° with 3 flashheads fixed at 120° around the obstacle        |
| Flash per minute                                |  | 30  |
| Standards                                       |  |   |
| Standards compliance                            |  | ICAO annex 14 chapter 6, FAA (AC 150/5345-43H), EASA, DGAC, CAA |