

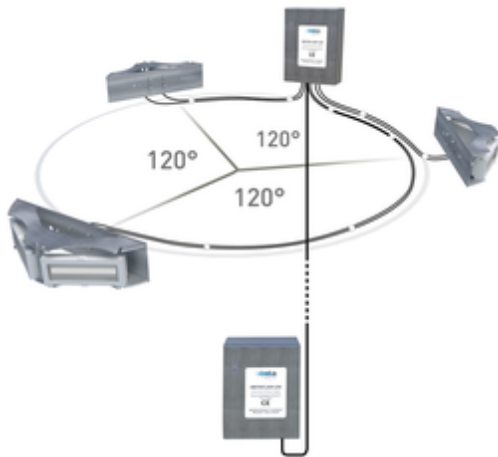
OFI120-R-48/240



Obstruction lighting systems including 3 LED OBSTAFLASH 120° red medium intensity type especially designed for obstacle such as stacks with a diameter of 6 meters maximum and 3 legs based pylons. This set complies with ICAO medium intensity red color and is certified to FAA L-864.

P/N : **113756U**

This light is also available with infrared leds to be compatible with NVG (night vision goggles)



Patents: EP3230651, FR1462349, Pat. 10,247,386

Key Points

3 flashheads OFP-120-R-10 with :

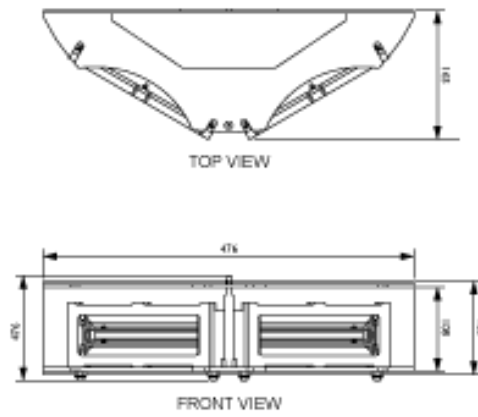
- 2 led projectors IP66
- Aluminium and glass envelope
- Vertical stainless support

A power supply :

- Stainless enclosure with interlock switch and cable entry at the bottom
- Surge protection included
- Alarm relay in case of projector failure or power supply failure
- Test button with auto/day/night modes
- 8 led indicators for easy diagnostic
- Possibility to connect intermediate 48Vdc red lights operating at night only

Electrical Characteristics		
Power supply		110VAC to 240VAC +/-10% 50/60Hz
Average power consumption		8W (night time only @ 30fl per minute)
Mechanical Characteristics		
Operating temperature		-40/+55°C
Size of the light		120mm (height) x 480mm (width)
Size of the power supply		400mm (height) x 300mm (width) x 200mm (dept)
Weight		4kg
Wiring		For each projector, 10 meters of molded cable For power supply, entry of power & signal cable by glands nickel plated brass and connection by terminals

Mechanical Characteristics



Photometric Characteristics		
Effective light output night mode at 0° on site		2000cd (red)
Color night time		Red
Horizontal beam spread		360° with 3 flashheads fixed at 120° around the obstacle
Flash per minute		30
Standards		
Standards compliance		ICAO annex 14 chapter 6, FAA (AC 150/5345-43H), EASA, DGAC, CAA