

OFI120-WW-240-U



Obstruction lighting systems including 3 LED OBSTAFLASH 120° white medium intensity type especially designed for obstacle such as stacks and 3 legs based pylons. This set complies with ICAO medium intensity type A and is certified with the FAA L-865.

P/N : **113713U**

The obstaflash kit shall be used with an external photocell and oriented to the North (in the North Hemisphere)

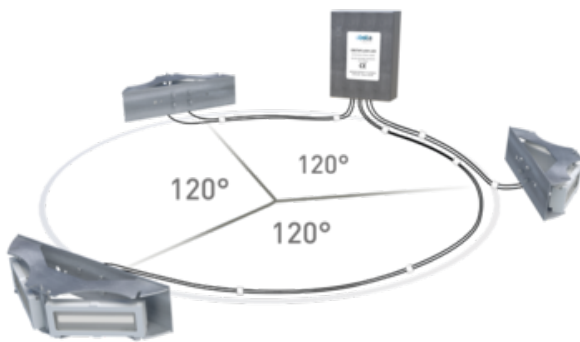
Key Points

3 flashheads OFP-120-RW-10L-U with :

- 2 led projectors IP66
- Aluminium and glass envelope
- Vertical stainless support

A power supply :

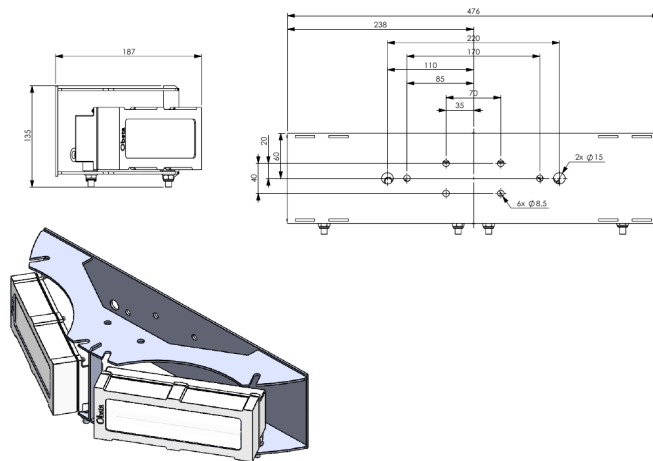
- Stainless enclosure with interlock switch and cable entry at the bottom
- Surge protection included
- Alarm relay in case of projector failure or power supply failure
- Test button with auto/day/night modes
- 8 led indicators for easy diagnostic
- Possibility to connect intermediate 48Vdc red lights operating at night only



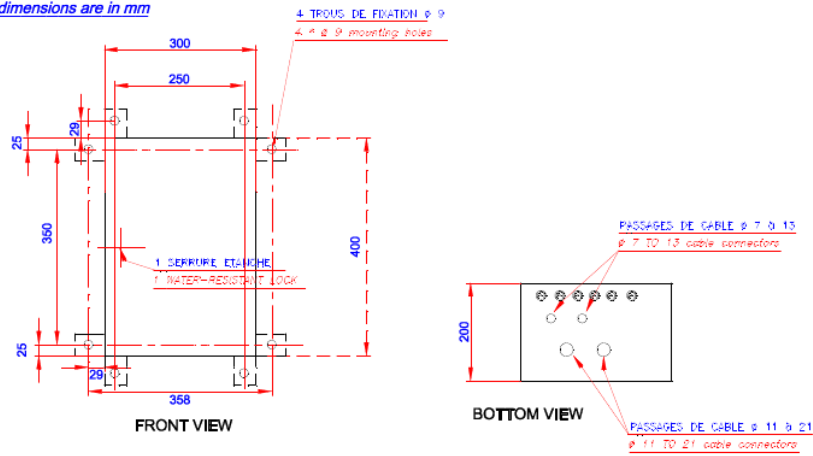
Patents: EP3230651, FR1462349, Pat. 10,247,386

Electrical Characteristics		
Power supply		110VAC to 240VAC +/-10% 50/60Hz
Average power consumption		55W (day time), 8W (night mode)
Mechanical Characteristics		
Operating temperature		-40/+55°C
Size of the light		120mm (height) x 480mm (width)
Size of the power supply		400mm (height) x 300mm (width) x 200mm (dept)
Weight		4kg
Wiring		For each projector, 10 meters of molded cable with connector For power supply, 1 plug per projector + entry of power & signal cable by glands nickel plated brass and connection by terminals

Mechanical Characteristics



All dimensions are in mm



Photometric Characteristics		
Effective light output day time at 0° on site		20 000cd (white)
Effective light output twilight mode at 0° on site		20 000cd (white)
Effective light output night mode at 0° on site		2000cd (white)
Color day/twilight time		white
Color night time		White
Vertical beam spread		>3°
Horizontal beam spread		360° with 3 flashheads fixed at 120° around the obstacle
Intensity @ -10% to the ground		3% of max
Flash per minute		40
Standards		
Standards compliance		ICAO annex 14 chapter 6, FAA (AC 150/5345-43H), EASA, DGAC, CAA