

## OFP-120-RW-JB

The dual color type A & B/C medium intensity flashhead OBSTAFLASH120 is designed for day and night marking of obstacle such as chimneys, pylons, facade of high rise buildings.

A system that includes 3 OBSTAFLASH120 around the obstacle (more if diameter is higher than 6 meters) and an OBSTA power cabinet complies with ICAO dual color medium intensity and has been certified to FAA L-865/L-864.

P/N : 113747JB



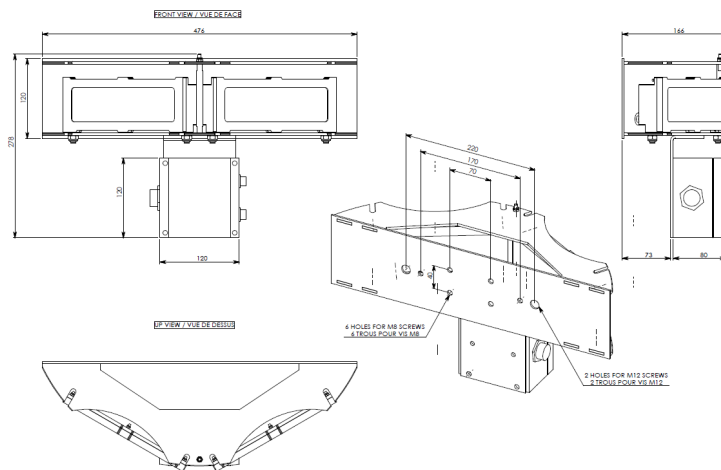
Patents: EP3230651, FR1462349, Pat. 10,247,386

### Key Points

The flashhead OFP-120-RW-JB includes

- 2 led projectors made in glass and painted aluminium coming with 75cm of molded cable
- 1 junction box OFP-JB-2P-RW to connect the flashhead to the power supply through one single cable
- Stainless support for the 2 projectors and the junction box

Mechanical Characteristics	
Operating temperature	-40/+55°C
Size of the light	120mm (height) x 480mm (width)
Weight	4kg
Wiring	Entry of cable by glands nickel plated brass and connection by terminals



Photometric Characteristics	
Effective light output day time at 0° on site	20 000cd (white)
Effective light output twilight mode at 0° on site	20 000cd (white)
Effective light output night mode at 0° on site	2000cd (white or red)
Color day/twilight time	white
Color night time	white or red
Vertical beam spread	>3°
Horizontal beam spread	360° with 3 flashheads fixed at 120° around the obstacle
Standards	
Standards compliance	ICAO annexe 14 chapter 6 (7th edition 2016), EASA (4th edition 2017)