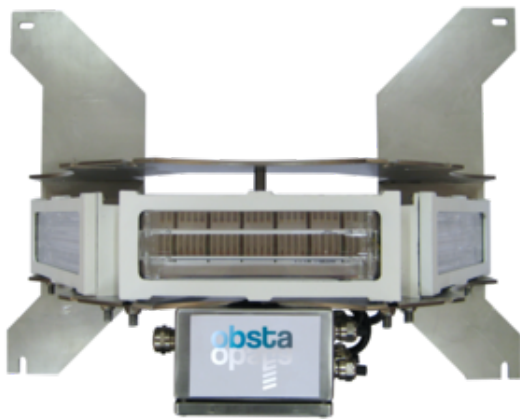


OFP-180-R-JB

The red medium intensity flashhead OBSTAFLASH180 is designed for night marking of obstacle such as large stacks, intermediate pylons with 4 legs, facade of high rise buildings.

A system that includes at least 2 OBSTAFLASH180 around the obstacle and an OBSTA power cabinet complies with ICAO red medium intensity and with FAA L-864.

P/N : 113745



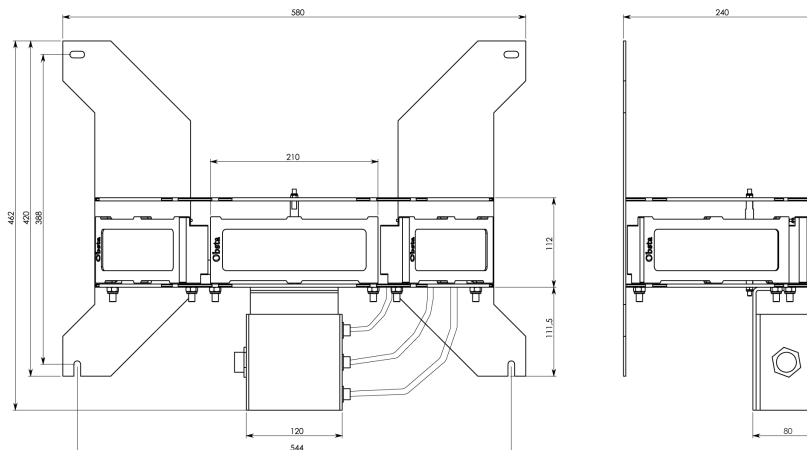
Patents: EP3230651, FR1462349, Pat. 10,247,386

Key Points

This flashhead includes

- 3 led projectors in glass and aluminium painted coming with 0.75 meter of molded cable
- 1 junction box
- Stainless support for the 3 projectors and the junction box

Electrical Characteristics	
Average power consumption	8W (night time only @ 30fl per minute)
Mechanical Characteristics	
Operating temperature	-40/+55°C
Size of the light	420mm (height) x 580mm (width)
Weight	6kg
Wiring	Entry of cable by glands nickel plated brass and connection by terminals



Photometric Characteristics		
Effective light output night mode at 0° on site		2000cd (red)
Color night time		Red
Horizontal beam spread		360° with minimum 2 flashheads on opposite side
Flash per minute		30
Standards		
Standards compliance		ICAO annex 14 chapter 6, FAA (AC 150/5345-43H), EASA, DGAC, CAA