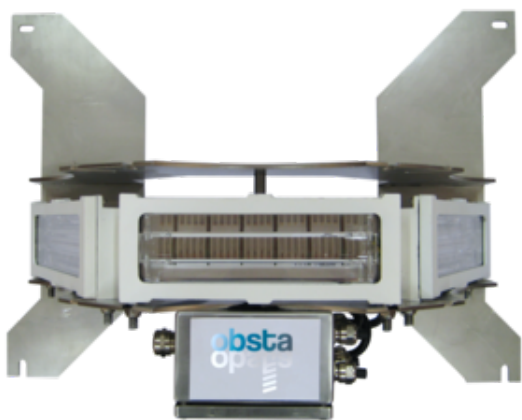


OFP-180-RW-JB

The dual color medium intensity flashhead OBSTAFLASH180 is designed for day and night marking of obstacle such as large stacks, intermediate pylons with 4 legs, facade of high rise buildings.

A system that includes minimum 2 OBSTAFLASH180 around the obstacle and an OBSTA power cabinet complies with ICAO dual color medium intensity and with FAA L-865/L-864.

P/N : 113738



Patents: EP3230651, FR1462349, Pat. 10,247,386

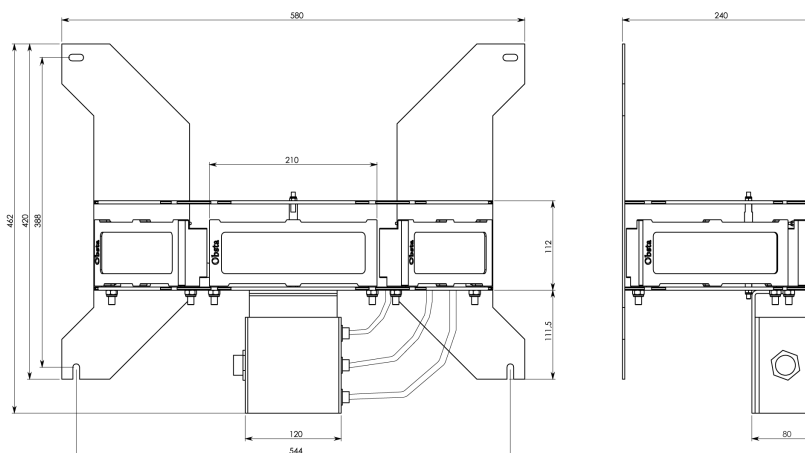
Key Points

The flashhead includes

- 3 led projectors in glass and aluminium coming with 0.75 meter of molded cable
- 1 junction box
- Stainless support for the 3 projectors and the junction box

This flashhead must be powered through external obsta power cabinet

Mechanical Characteristics	
Operating temperature	-40/+55°C
Size of the light	420mm (height) x 580mm (width)
Weight	6kg
Wiring	Entry of cable by glands nickel plated brass and connection by terminals



Photometric Characteristics		
Effective light output day time at 0° on site		20 000cd (white)
Effective light output twilight mode at 0° on site		20 000cd (white)
Effective light output night mode at 0° on site		2000cd (red)
Color day/twilight time		white
Color night time		Red
Horizontal beam spread		360° with minimum 2 flashheads on opposite side
Flash per minute		40
Standards		
Standards compliance		ICAO annexe 14 chapter 6 (7th edition 2016), EASA (4th edition 2017)