

PHOTOCELL 50LUX 120VAC

Photocell for night only operation for all OBSTA 120Vac

P/N : **113667**

The ambient light sensor should be mounted upright, away from artificial light (eg., floodlights), and in a location that will enable its sensor window to have an unobstructed view of the polar sky (eg., pointed north in the northern hemisphere).

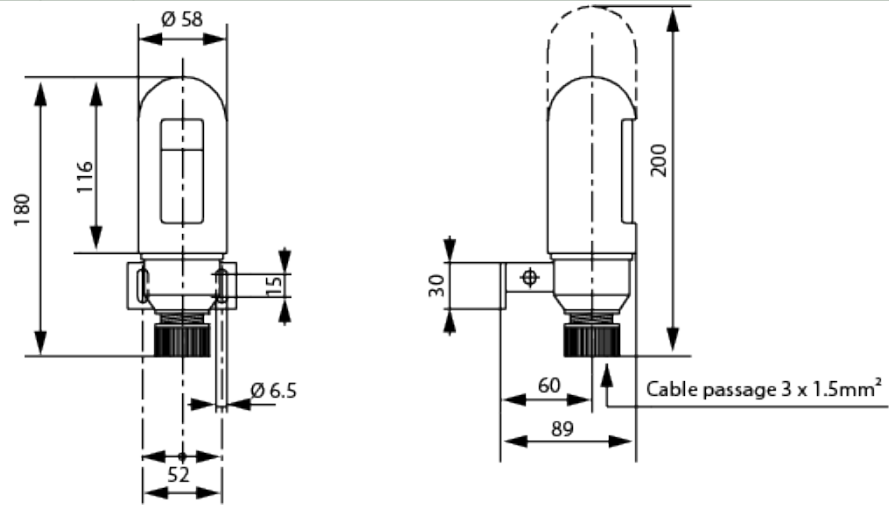


Key Points

- plug-in modular construction with plated contact surfaces
- automatic control of the red or dual obstruction lighting according to ambient light in compliance with FAA and ICAO twilight/night triggering level
- timer to prevent the functioning of the cell at inopportune times (lightning)

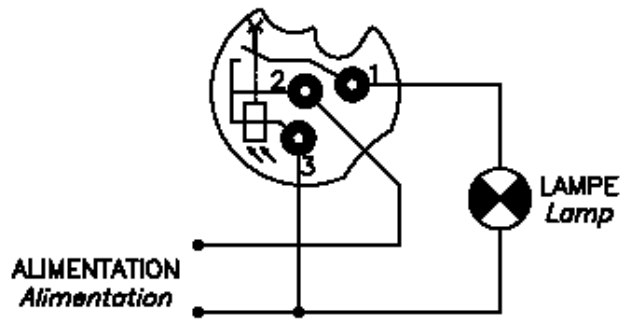
Electrical Characteristics	
Voltage	120VAC +/-10% 50/60Hz
Average power consumption	1.5VA
Mechanical Characteristics	
Operating temperature	-25°C/+60°C
IP degree	IP67
Weight	300g
Wiring	by 3 screw terminals
Attachment	by harness and screws

Mechanical Characteristics



BRANCHEMENT
Wiring

CELLULE PHOTOELECTRIQUE
Photoelectric cell



Standards

Standards compliance

ICAO annex 14 chapter 6, FAA (AC 150/5345-43H), EASA, DGAC, CAA