

PHOTOCELL 50LUX 48VDC

Photocell for twilight-night intensity change in accordance with ICAO and FAA for all OBSTA 48Vdc lights or for the change of color and light-intensity of the led obstaflash series

P/N : **100755**

The ambient light sensor should be mounted upright, away from artificial light (eg., floodlights), and in a location that will enable its sensor window to have an unobstructed view of the polar sky (eg., pointed north in the northern hemisphere).

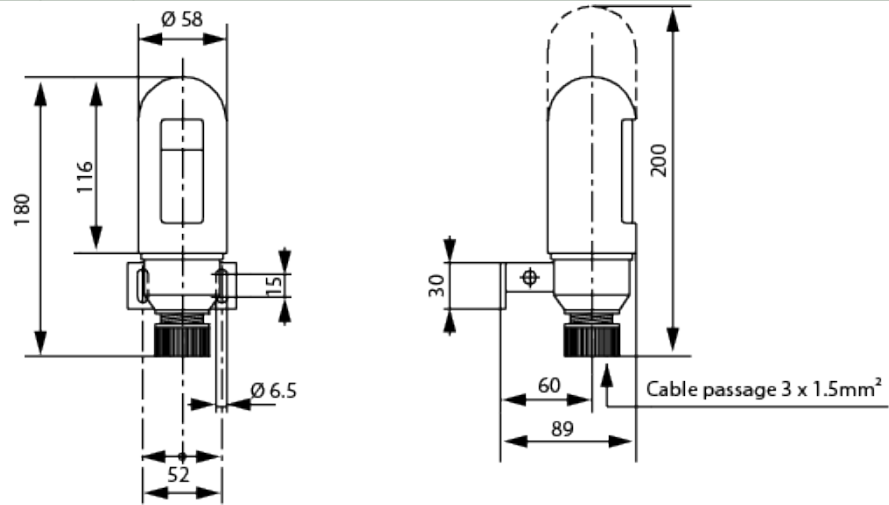


Key Points

- plug-in modular construction with plated contact surfaces
- automatic control of the red or dual obstruction lighting according to ambient light in compliance with FAA and ICAO twilight/night triggering level
- timer to prevent the functioning of the cell at inopportune times (lightning)

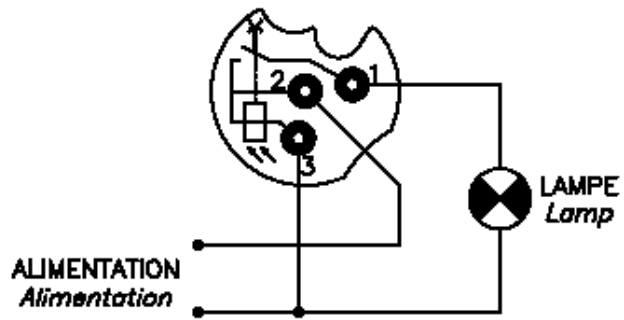
| Electrical Characteristics | |
|----------------------------|-----------------------|
| Voltage | 48VDC -10%/+15% |
| Average power consumption | 1.5VA |
| Mechanical Characteristics | |
| Operating temperature | -25°C/+60°C |
| IP degree | IP67 |
| Weight | 300g |
| Wiring | by 3 screw terminals |
| Attachment | by harness and screws |

Mechanical Characteristics



BRANCHEMENT
Wiring

CELLULE PHOTOELECTRIQUE
Photoelectric cell



Standards

Standards compliance

ICAO annex 14 chapter 6, FAA (AC 150/5345-43H), EASA, DGAC, CAA