

## SPHERE600-AL-ø14,0-59,8

The obsta spherical markers are compliant with International Civil Aviation Organisation (ICAO) annex 14 chapter 6 recommendations:

Paragraph 6.2.5.4: A marker displayed on an overhead wire, cable, etc., should be spherical and have a diameter of not less than 60 cm

Paragraph 6.2.5.5: The spacing between two consecutive markers or between a marker and a supporting tower should be appropriate to the diameter of the marker, but in no case should the spacing exceed 30 meters when the marker diameter is 60 cm. Where multiple wires, cables, etc., are involved, a marker should be located not lower than the level of the highest wire at the point marked

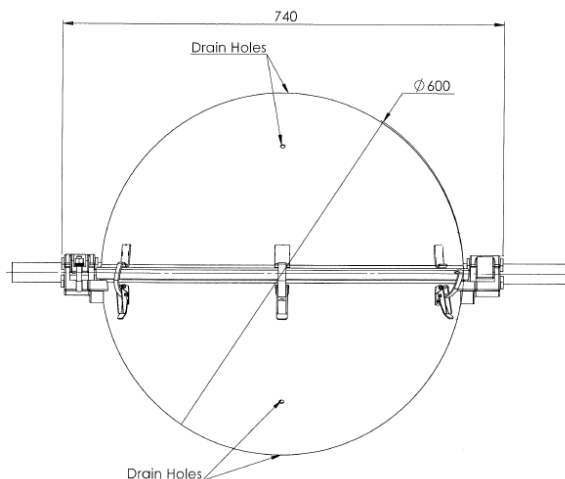
P/N : **100800-100817**



### Key Points

- overall diameter 600mm
- material: aluminium
- Designed for high voltage cable, tested to temperature up to 250°C peak
- No losing parts and easy installation with only 2 screws and draw latches
- color: white or red aviation to be specified at time order
- clamps depending on the diameter of the cable from 9mm up to 67mm to be specified at time order

Mechanical Characteristics		
Cable diameter		ø14,0 to 59,8mm
Color		red or white
Weight		6,5kg



Mechanical Characteristics

Code Obsta	Ø Cable	Couleur
100800	Ø14,00-17,56mm	Rouge
100801	Ø19,60-22,80mm	Rouge
100802	Ø24,80-28,40mm	Rouge
100803	Ø30,80-33,10mm	Rouge
100804	Ø36,70-40,10mm	Rouge
100805	Ø43,80-44,80mm	Rouge
100806	Ø51,70-52,00mm	Rouge
100807	Ø59,70-59,80mm	Rouge
100810	Ø14,00-17,56mm	Blanche
100811	Ø19,60-22,80mm	Blanche
100812	Ø24,80-28,40mm	Blanche
100813	Ø30,80-33,10mm	Blanche
100814	Ø36,70-40,10mm	Blanche
100815	Ø43,80-44,80mm	Blanche
100816	Ø51,70-52,00mm	Blanche
100817	Ø59,70-59,80mm	Blanche