

## SPHERE600-D

The obsta spherical markers are compliant with International Civil Aviation Organisation (ICAO) annex 14 chapter 6 recommendations:

Paragraph 6.2.5.4: A marker displayed on an overhead wire, cable, etc., should be spherical and have a diameter of not less than 60 cm

Paragraph 6.2.5.5: The spacing between two consecutive markers or between a marker and a supporting tower should be appropriate to the diameter of the marker, but in no case should the spacing exceed 30 meters when the marker diameter is 60 cm. Where multiple wires, cables, etc., are involved, a marker should be located not lower than the level of the highest wire at the point marked

P/N : 113655



### Key Points

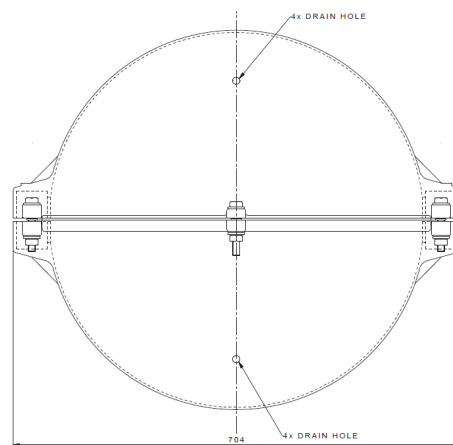
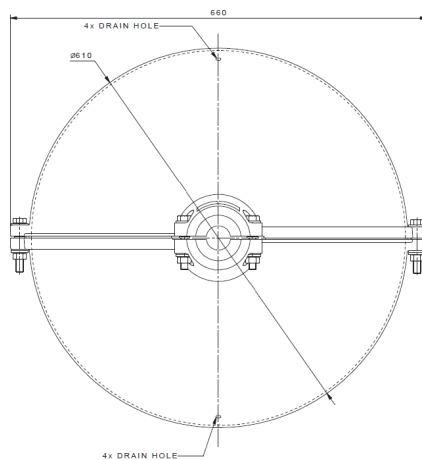
- overall diamètre 610mm
- material: polyéthylène
- suitable for ground cable or conductor cable up to 132KV
- colour: white, red or aviation orange
- diameter of cable 6mm up to 54,8mm

Suffix for color and diameter of cable to be specified at time order

### Mechanical Characteristics

Weight

5kg



Mechanical Characteristics

Code / Part number	Designation : SPHERE600 - color(R=Red ; W=White ; O=Orange) - diameter of cable in mm
113655R060	SPHERE600-R-Ø6-12,5
113655R125	SPHERE600-R-Ø12,5-18,5
113655R185	SPHERE600-R-Ø18,5-24,5
113655R245	SPHERE600-R-Ø24,5-30,5
113655R305	SPHERE600-R-Ø30,5-36,5
113655R365	SPHERE600-R-Ø36,5-42,5
113655R425	SPHERE600-R-Ø42,5-48,5
113655R485	SPHERE600-R-Ø48,5-54,5
113655W060	SPHERE600-W-Ø6-12,5
113655W125	SPHERE600-W-Ø12,5-18,5
113655W185	SPHERE600-W-Ø18,5-24,5
113655W245	SPHERE600-W-Ø24,5-30,5
113655W305	SPHERE600-W-Ø30,5-36,5
113655W365	SPHERE600-W-Ø36,5-42,5
113655W425	SPHERE600-W-Ø42,5-48,5
113655W485	SPHERE600-W-Ø48,5-54,5
113655O060	SPHERE600-O-Ø6-12,5
113655O125	SPHERE600-O-Ø12,5-18,5
113655O185	SPHERE600-O-Ø18,5-24,5
113655O245	SPHERE600-O-Ø24,5-30,5
113655O305	SPHERE600-O-Ø30,5-36,5
113655O365	SPHERE600-O-Ø36,5-42,5
113655O425	SPHERE600-O-Ø42,5-48,5
113655O485	SPHERE600-O-Ø48,5-54,5